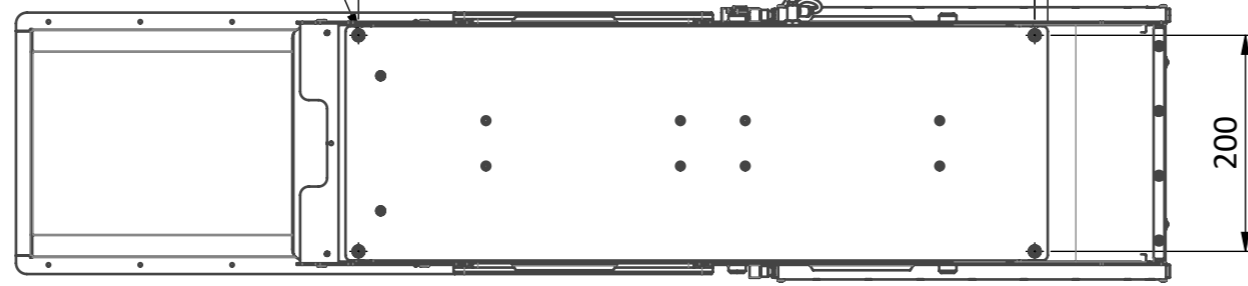


4x M6 Befestigungsschrauben

626

12



200

1068

Schutzwand

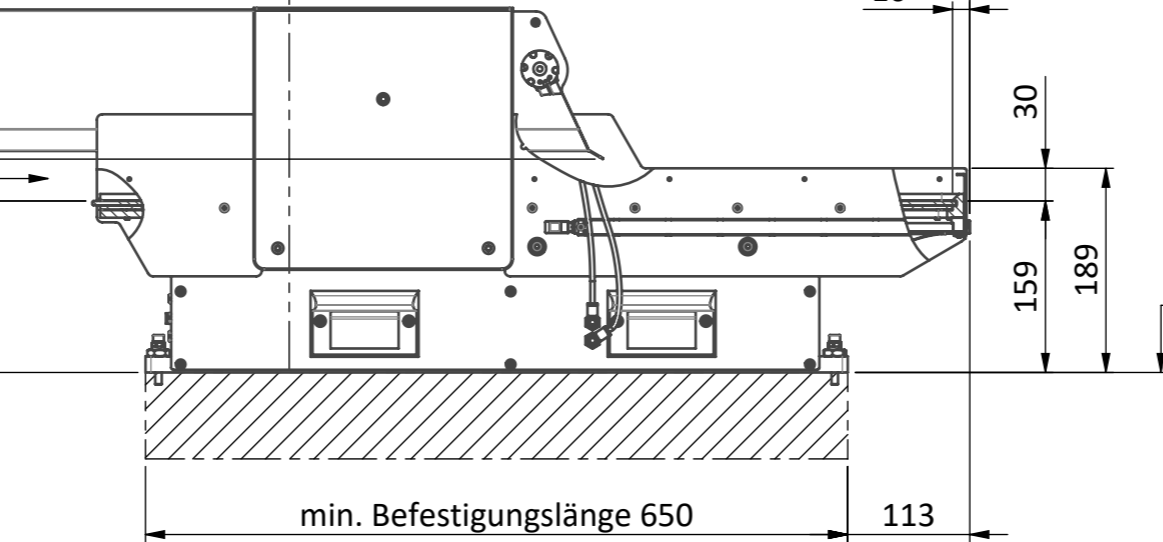
630

16

38.8

159

Entleerkanal



min. Befestigungslänge 650

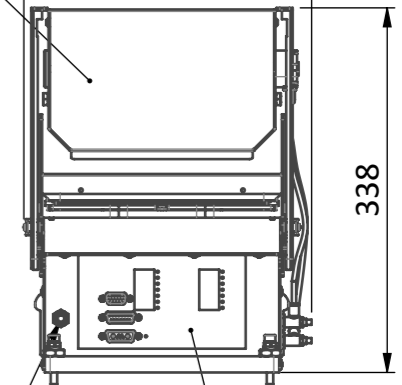
113

0.5

Druckluftanschluss
Schlauch \varnothing 8

8l/7kg Bunker

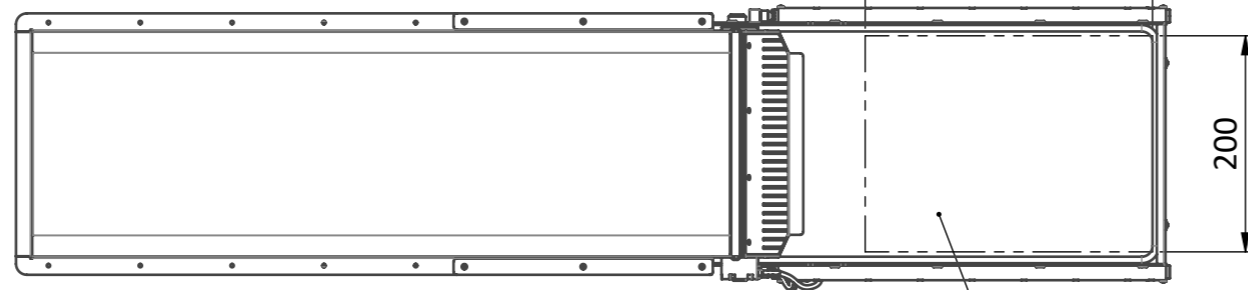
266



338

Elektrische Anschlüsse
LED Statusanzeige

266



200

Abgreifbereich

flexfactory
reinvent feeding

Copyright Flexfactory. All rights reserved. By taking possession of the drawing, the recipient recognizes and honors these rights. Neither the whole nor any part of this drawing may be used in any way for construction, fabrication, marketing or any other purpose nor copied in any way nor made accessible to third parties without the previous written consent of Flexfactory.

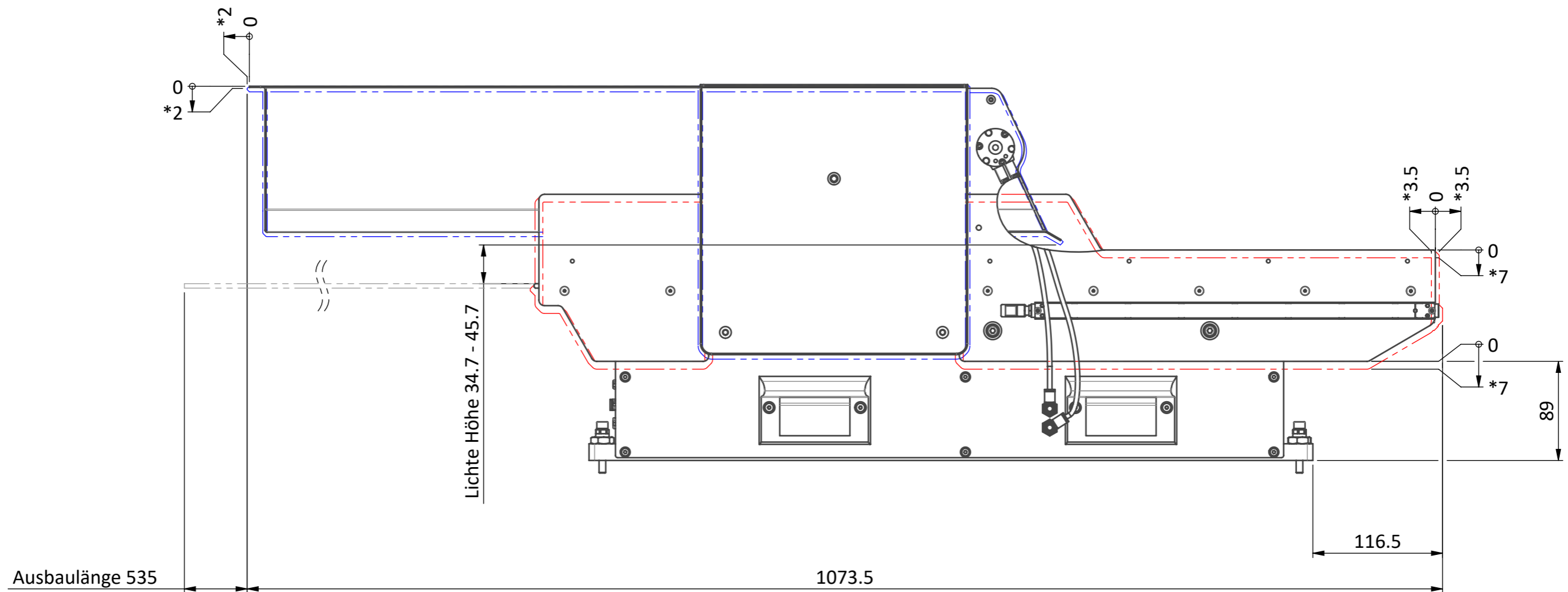
TITLE:

Massbild anyfeed SXM200 8l

Subject to change without prior notice.

Latest Update:

10.04.2018



- * Maximale Auslenkung bei Bewegung
- Ruhestellung
- - - - - Bewegungslinie Förderplattform
- - - - - Bewegungslinie Bunker
- - - - - Ausbaulänge Förderfläche

| | | |
|--|---|--|
| | <small>Copyright Flexfactory. All rights reserved. By taking possession of the drawing, the recipient recognizes and honors these rights. Neither the whole nor any part of this drawing may be used in any way for construction, fabrication, marketing or any other purpose nor copied in any way nor made accessible to third parties without the previous written consent of Flexfactory.</small> | |
| | <small>TITLE:</small> Massbild anyfeed SXM200 8l | <small>Subject to change without prior notice.</small> <small>Latest Update:</small> 10.04.2018 |