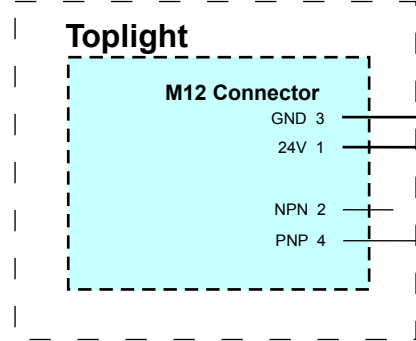
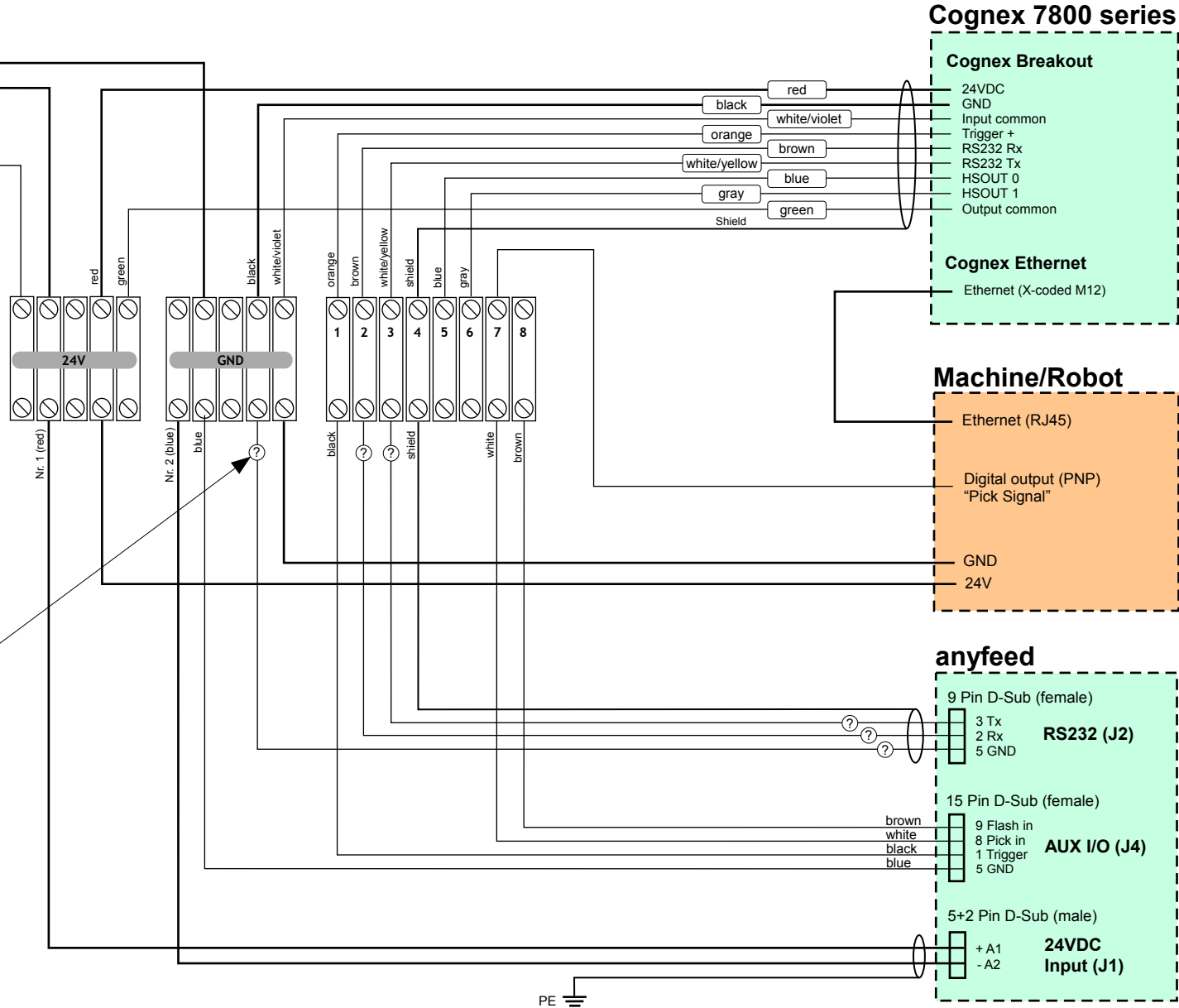


Optional Lighting

Wiring diagram example for flexfactory feeding system



customer's control cabinet →



Connector (female) of delivered cable needs to be cut on this side.
 Note: Wire colors of the RS232-Cable may vary.
 Important is the following connection:

Anyfeed DSUB9	↔	Cognex Breakout
3	↔	white/yellow
2	↔	brown
5	↔	black
Shield	↔	Shield