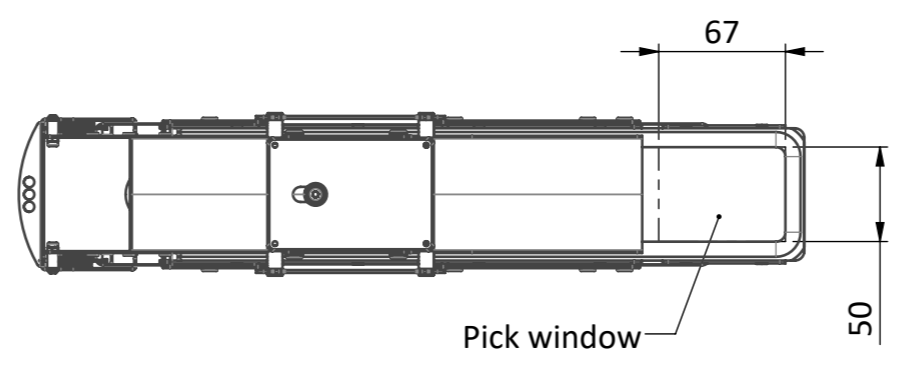
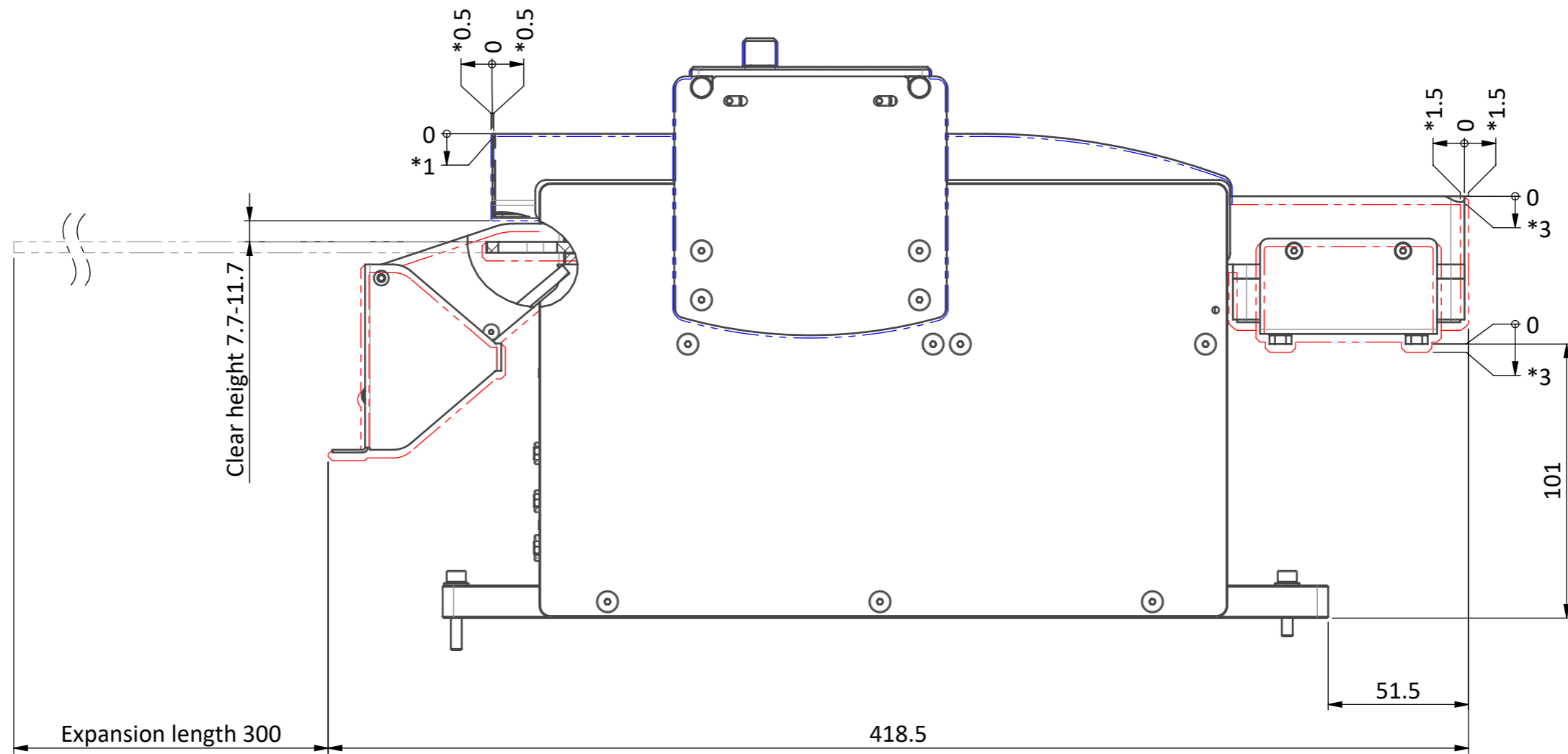


Electrical connections  
LED status indicator



	Copyright Flexfactory. All rights reserved. By taking possession of the drawing, the recipient recognizes and honors these rights. Neither the whole nor any part of this drawing may be used in any way for construction, fabrication, marketing or any other purpose nor copied in any way nor made accessible to third parties without the previous written consent of Flexfactory.	
	TITLE: <b>Dimension drawing anyfeed SXM50</b>	Subject to change without prior notice. Latest Update: <b>02.07.2018</b>



- \* Maximum deflection during movement
- Rest position
- - - Line of movement feed platform
- - - Line of movement bulk
- - - Expansion length feed surface