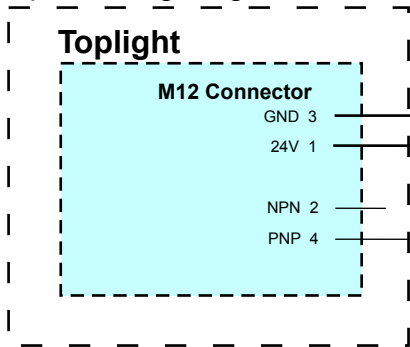
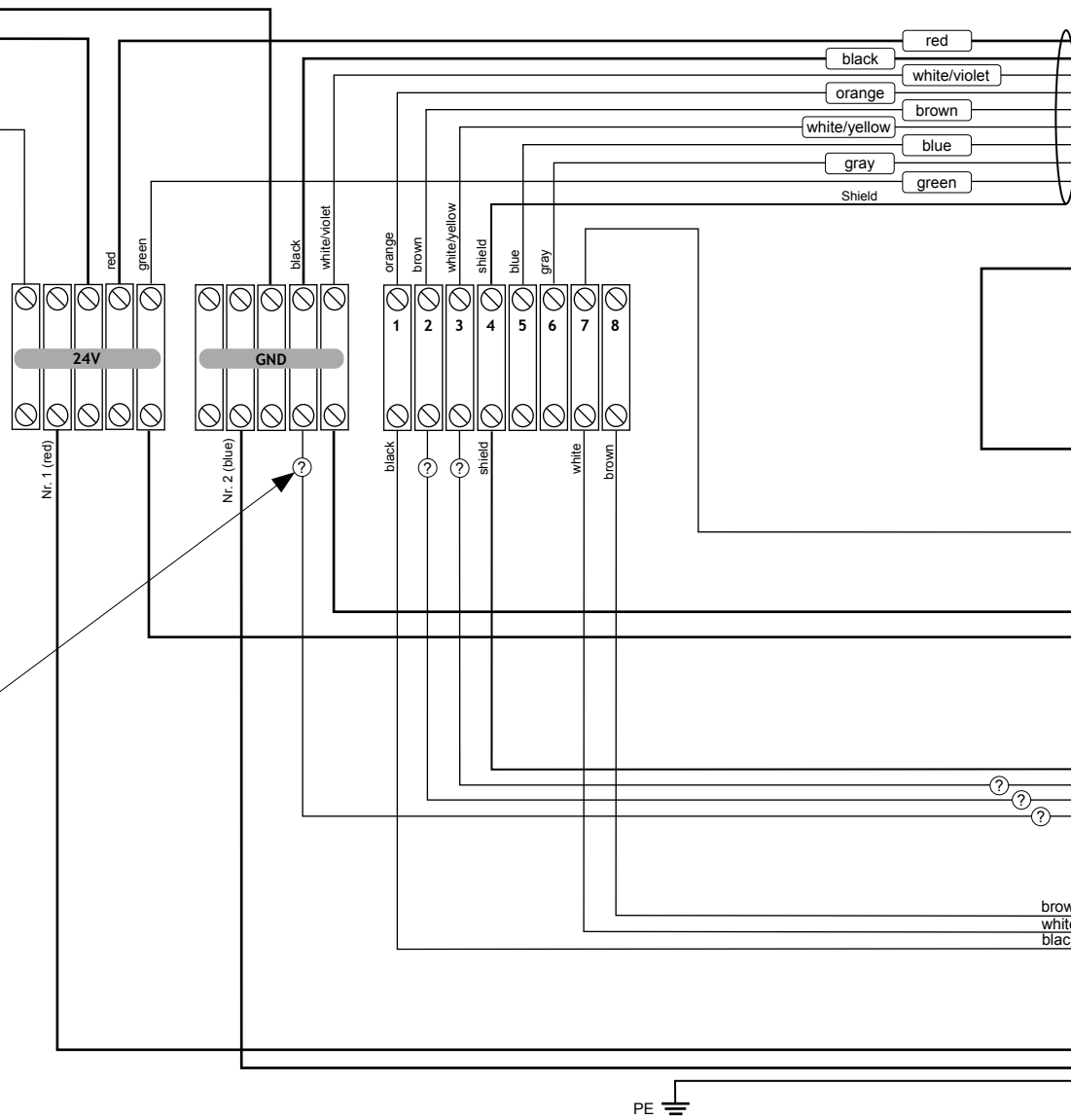
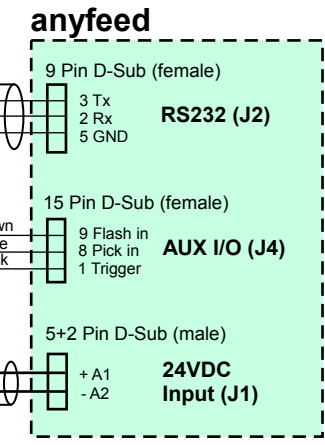
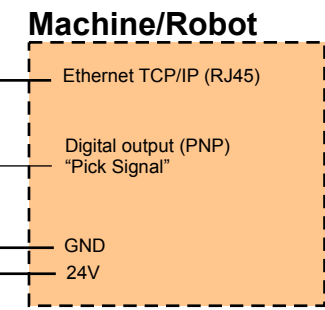
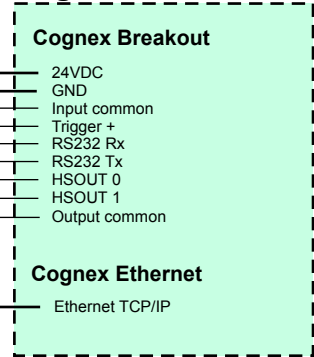


Optional Lighting



Wiring diagram example for flexfactory feeding system

Cognex 7800 series



Connector (female) of delivered cable needs to be cut on this side.

Note: Wire colors of the RS232-Cable may vary.

Important is the following connection:

Anyfeed DSUB9	Cognex Breakout
3	white/yellow
2	brown
5	black
Shield	Shield